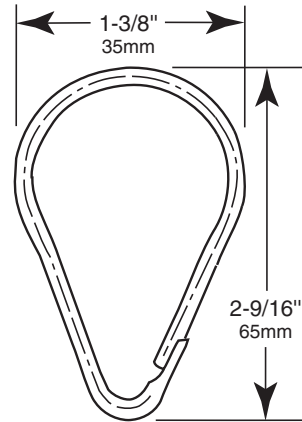




Technical Data

STAINLESS STEEL SHOWER CURTAIN HOOK

204-1



MATERIALS:

18-8, Type-304, 0.09" (2.28mm) diameter stainless steel.

OPERATION:

Shower curtain hooks can be used with 1" and 1-1/4" (25 and 32mm) diameter shower curtain rods.

Designer's Note: 72" (1830mm) high shower curtains of opaque white vinyl are available from Bobrick as an optional accessory. Order Part No. 204-2 for 42" (1065mm) wide curtains (requires 7 hooks) or Part No. 204-3 for 70" (1780mm) wide curtains (requires 12 hooks).

INSTALLATION:

Hooks snap open to allow placement on 1" (25mm) or 1-1/4" (32mm) diameter shower curtain rods. Recommended for use with Bobrick Models B-207, B-4207, B-6047, and B-6107 stainless steel shower curtain rods.

SPECIFICATION:

Shower curtain hooks shall be 0.09" (2mm) diameter, type-304 stainless steel. Hooks shall be usable with 1" and 1-1/4" (25 and 32mm) diameter shower curtain rods.

Stainless Steel Shower Curtain Hooks shall be Part No. 204-1 of Bobrick Washroom Equipment, Inc., Clifton Park, New York; Jackson, Tennessee; Los Angeles, California; Bobrick Washroom Equipment Company, Scarborough, Ontario; Bobrick Washroom Equipment Pty. Ltd., Australia; and Bobrick Washroom Equipment Limited, United Kingdom.