

PRODUCT SPECIFICATIONS

Elkay Glass Filler. Overall dimensions are 2-1/2" x 1-1/8" x 9-1/2".
Made of Stainless Steel.

Material:	Stainless Steel
Finish:	Chrome (CR)
Dimensions:	2-1/2" x 1-1/8" x 9-1/2"
Shipping Weight:	1 lbs.

Special Note: Ordered separately with glass filler prepped models.

- Instructions included to install in non-glass, filler-prepped coolers and fountains.
- Gooseneck filler.
- Plastic push lever control.
- Stainless steel.
- Certified to NSF/ANSI 61 and 372 to meet all federal and state regulations for low or no-lead products.

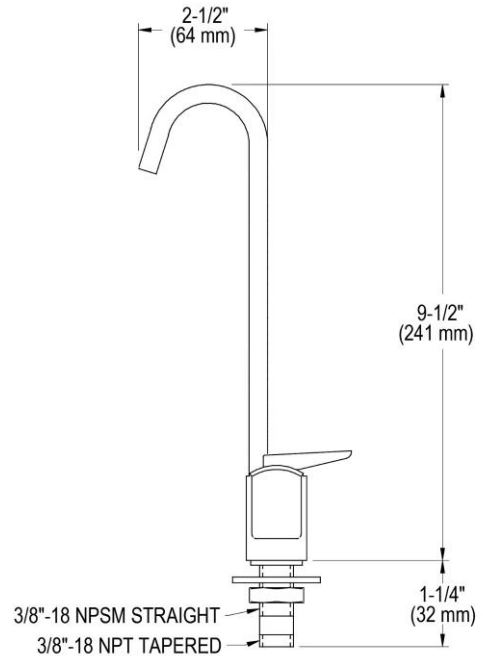


Included with Product: Glass filler

A Century of Tradition and Quality.
For more than 100 years, Elkay has been making innovative products and providing exceptional customer care. We take pride in offering plumbing products that make life easier, inspire change and leave the world a better place.



Product Compliance: NSF 372 (lead free)
NSF 61



PART: _____ QTY: _____

PROJECT: _____

CONTACT: _____

DATE: _____

NOTES: _____

APPROVAL: _____

In keeping with our policy of continuing product improvement, Elkay reserves the right to change product specifications without notice. Please visit elkay.com for the most current version of Elkay product specification sheets. This specification describes an Elkay product with design, quality, and functional benefits to the user. When making a comparison of other producers' offerings, be certain these features are not overlooked.